

ELECTRIC PALLET TRUCK

**CBD18W
CBD20W**

Advantages

- Mechanical Steering-Economic, comfortable, more reliable.
- AC Driving System-Low noise, quiet, without carbon brush and free maintenance.
- Electric Lifting-Rapid, efficient, electricity limit switch is standard.
- Short Wheelbase-Small turning radius, suitable for narrow space.
- Excellent Design-Easily in and out of the double tray.
- Energy conservation-Save energy, every day only 5kW/h.
- AC Controller-Stepless, strong power, multiple automatic

ELECTRIC PALLET TRUCK

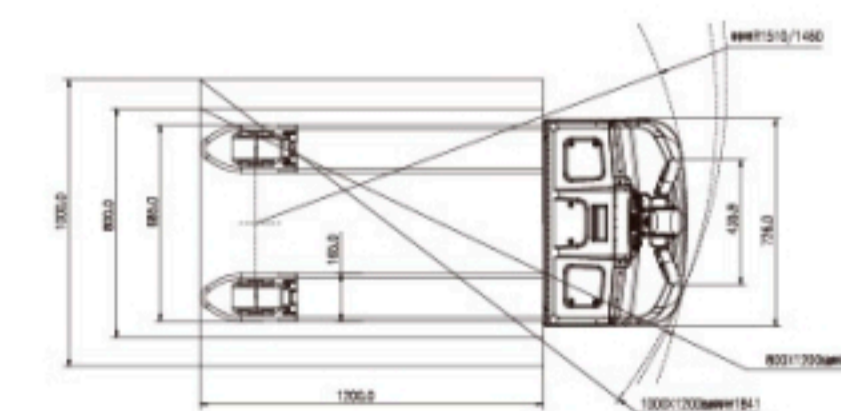
CBD20W-H

Advantages

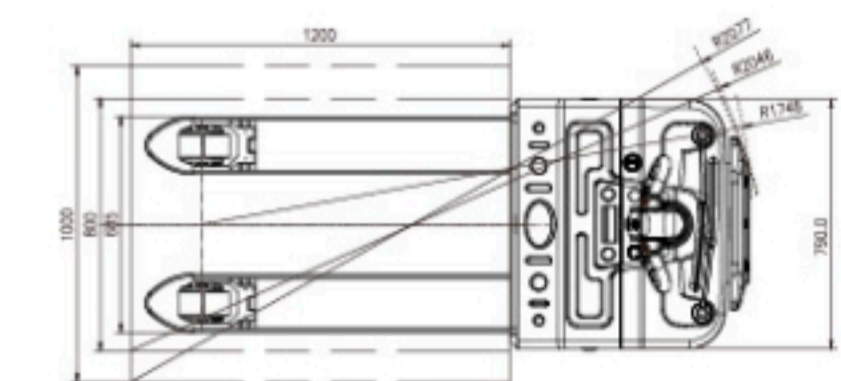
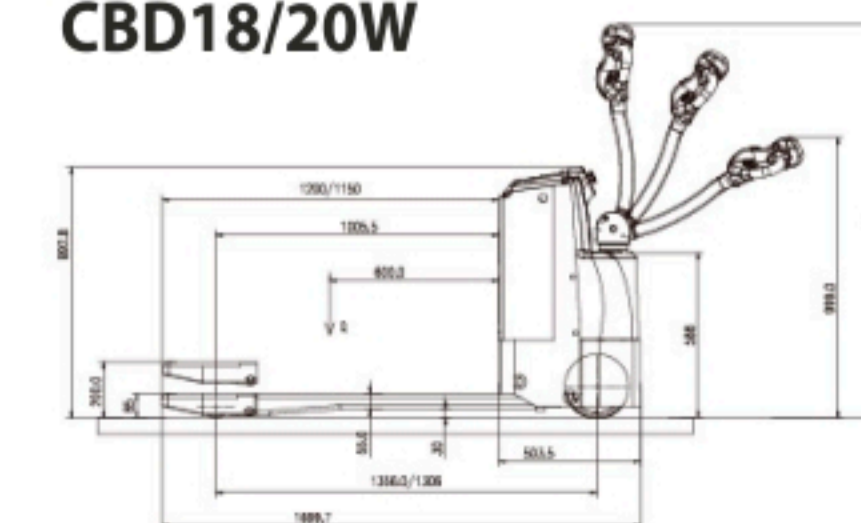
- Electronic power steering system, light and low noise.
- Drive unit floating bodies with patent design.
- AC Driving system, No carbon brush, maintenance free.
- USA CURTIS driving controller.
- Electromagnetic, regenerative braking system.
- Automatic lifting limit, extend the life of the battery and motor.
- Side-way battery, easy to replace.

CBD18W/20W CBD20W-H Electric Pallet Specification

1		Model		CBD18W/CBD20W	CBD20W-H	
Specification	2	Operating Type		Walkie	Walkie	
	3	Power type		electric	electric	
	4	Rated Capacity	kg	1800/2000	2000	
	5	Load Centre	mm	600	600	
	6	Wheels type	mm	PU	PU	
	7	Wheel base	mm	1300	1390	
	8	Wheel quantity	mm	1D/4F/1B	1D/4F/1B	
	9	driving wheel size	mm	Φ228×75	Φ248×75	
	10	Balance wheel size	mm	Φ115×55	Φ115×55	
	11	Bearing wheel size	mm	Φ84×80 (Double wheel)	Φ84×80 (Double wheel)	
	Dimensions	12	Min.fork lowered height	mm	85	85
13		Max.fork lifting height	mm	195	195	
14		Max.lifting height	mm	100	110	
15		Overall fork width	mm	550/600/650/685	540/600/650/685	
16		Fork length	mm	1150/1200	1150/1200	
17		Fork width	mm	170	170	
18		Fork thickness	mm	75	75	
19		Overall length	mm	1650	1750	
20		Overall width	mm	725	720	
21		Overall height(With handle)	mm	1380	1385	
22		Overall height(Without handle)	mm	890	850	
23		Min.Turning radius	mm	1450	1575	
24		Min.Aisle width for pallets 800×1200	mm	1866	1900	
25		Min.Aisle width for pallets 1000×120	mm	1921	1940	
Performance	26	Speed	Travel (Laden/unladen)	km/h	3.5/4	3.5/4
	27		Lifting (Laden/unladen)	mm/s	30/35	30/35
	28		Lowering (Laden/unladen)	mm/s	40/35	40/35
	29	Max.Gradeability	(Laden/unladen)	%	5/7	5/7
	30	Service Weight (include battery)	kg	552(Battery weight 202)	620(Battery weight 202)	
Driven	31	Motor	Driven Motor	kw	AC 0.95	AC 1.5
	32		Lift Motor	kw	DC 1.2	DC 1.2
	33		Steering motor	kw	/	DC 0.15
	34	Battery	Standard	V/Ah	24/210	24/210
	35	Controller	Manufacturer		CURTIS	CURTIS
	36	Brake			Electromagnetic / Regenerative	



CBD18/20W



CBD20W-H

